

4

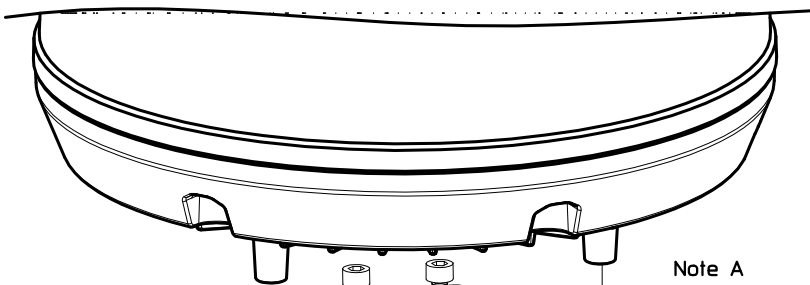
3

2

1

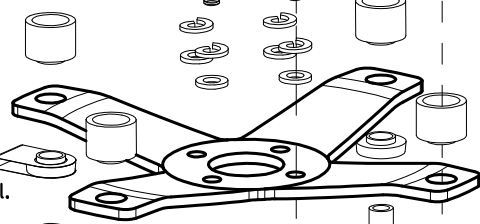
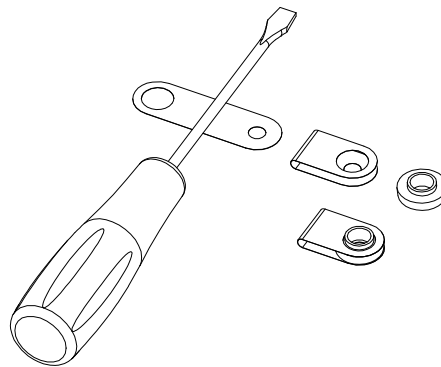
Note D:
 Bending of the Grounding Foil.
 Diameter of tool approx. ϕ 4mm.

REVISIONS			
LTR	DESCRIPTION	DATE	APPROVAL
A	ORIGINAL		
B	New Mounting Kit (Note B)	08.02.2008	OBL

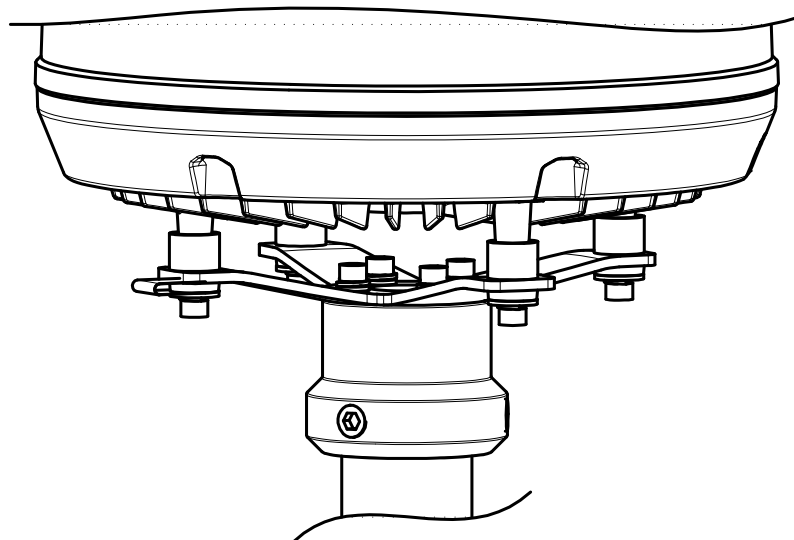


Note A
 M6X16

Note D
 Optional
 Grounding Foil.



Note B
 M6X20



Note C

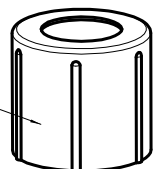
Note A:
 Recommended torque: 8 Nm

Note B:
 Recommended torque: 8 Nm

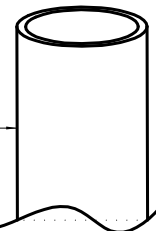
Note C:
 Recommended torque: 30 Nm

Do not exceed recommended torque.

If sleeve is not used,
 max. OD ϕ 52mm Tube
 can be used



1 1/2" Tube (OD ϕ 48.3mm)



TT-3050A		UNLESS OTHERWISE SPECIFIED DIMENSIONS ARE IN MILLIME- TRES AND TOLERANCES ARE IN ACCORDANCE WITH DS/ISO 2768-1 F		Thrane & Thrane Telecommunications Engineering Copenhagen Denmark	
		ANGLES LIN. DIM.		DR. Ole Brix Larsen 15.11.2007 CH. Jesper Sundberg 15.11.2007 AP. Ole Brix Larsen 15.11.2007	
		MATERIAL		TITLE Assembly Instruction for Mast Mount Kit 403742A-920	
NEXT ASSY		USED ON		AP. SIZE A3 CODE/IDENT NO. DRAWING NO. TT97-126642	
APPLICATION		FIRST ANGLE PROJECTION		SCALE SHEET 1 OF 1	

4

3

2

1