

The most important thing we build is trust



ADVANCED ELECTRONIC SOLUTIONS

AVIATION SERVICES

COMMUNICATIONS AND
CONNECTIVITY

MISSION SYSTEMS

EXPLORER 540 BGAN M2M

Product Overview



What is M2M?

Autonomous data collection often from remote sites

Satellite
terminal

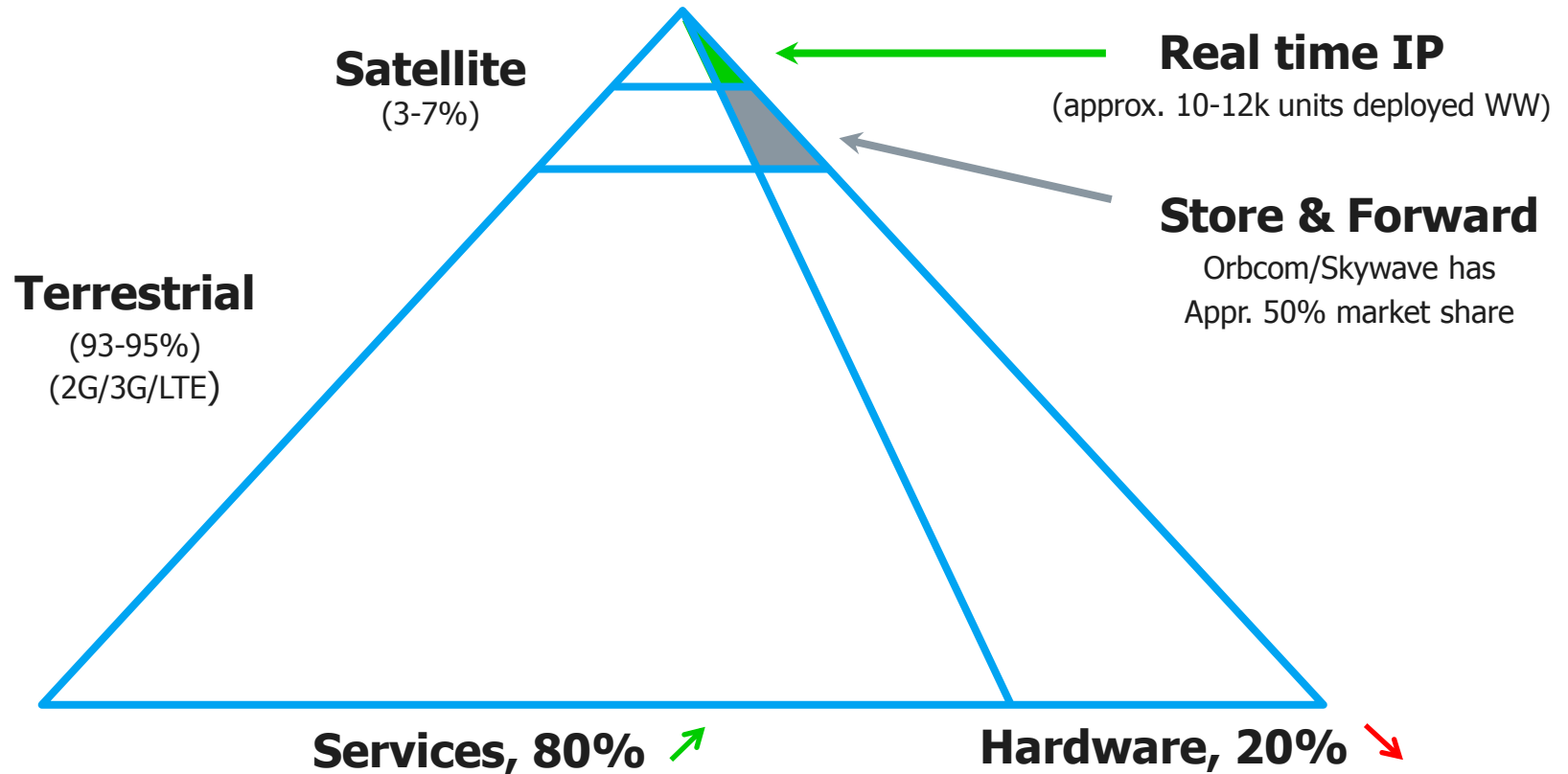
Solar Panel

RTU (Remote
Terminal Unit)



Sensors

Batteries



- All Satellite Store & Forward players operate a mixed HW and Services business model. They all have own Protocol IP.
- Short term – Cobham play will be limited to Real Time IP hardware market

Introducing EXPLORER 540 for M2M

The Cobham SATCOM response

- Dual Mode fixed BGAN M2M terminal
 - Supports BGAN M2M and standard Class 2 rate plans (BGAN Link)
 - Optional “integrated” 3G module (2G/3G/GPRS) enabling least cost routing
 - One cable support (Power over Ethernet), power injector provided as an option
- Design philosophy
 - Ease of installation - the main focus
 - All the main attributes of an M2M terminal are taken care of
 - Stability, stability, stability, stability – self healing under all circumstances
 - Low power consumption
 - ATEX Zone 2 Cat. 3, US C2D1 compliant
- Up sell possibility
 - EXPLORER 3G Module
 - EXPLORER Power Injector
- Pricing
 - MSRP: 1799\$



EXPLORER 540

The new BGAN Class 2 M2M Terminal

- A true dual mode BGAN M2M terminal with an optional 3G Modem Box as an integrated part of the design.
- Supports the Inmarsat M2M Access Platform (M2MAP).
 - Data exchange
 - SMS gateway for remote management
 - Firmware Upgrade Process (FUP) server for free OTA SW upgrade
 - Over The Air (OTA) file transfer server for support, i.e. log retrieval, configuration update, etc.
- First Customer Shipment is scheduled early 2016.



- Features:
 - Wide range of power options (PoE and DC 10.5V-32V)
 - Inmarsat M2M UT Certification
 - Inmarsat BGAN Class 2 Type Approval
 - Optional 3G Modem and PoE Power Injector
 - IP66 and C1D2 Approved
 - Pole Mount Kit included

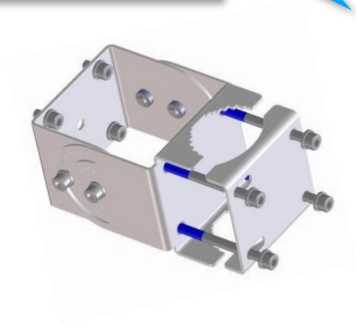
- Dimensions:
 - Size 20x20x5 cm
 - Weight >1.6 kg

EXPLORER 540

System Overview

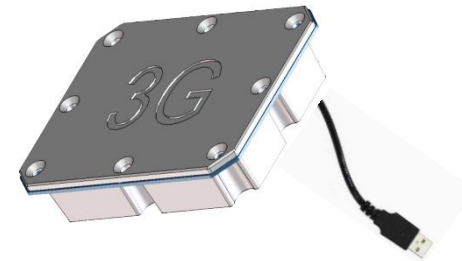
Box 1:

- E540 Transceiver
- E540 Pole Mount kit
- Installation Guide
- Online user manual and drivers



Box 2 (optional):

- 3G Modem Box
- Installation Guide



Box 3 (optional):

- PoE Power Injector
- Installation Guide



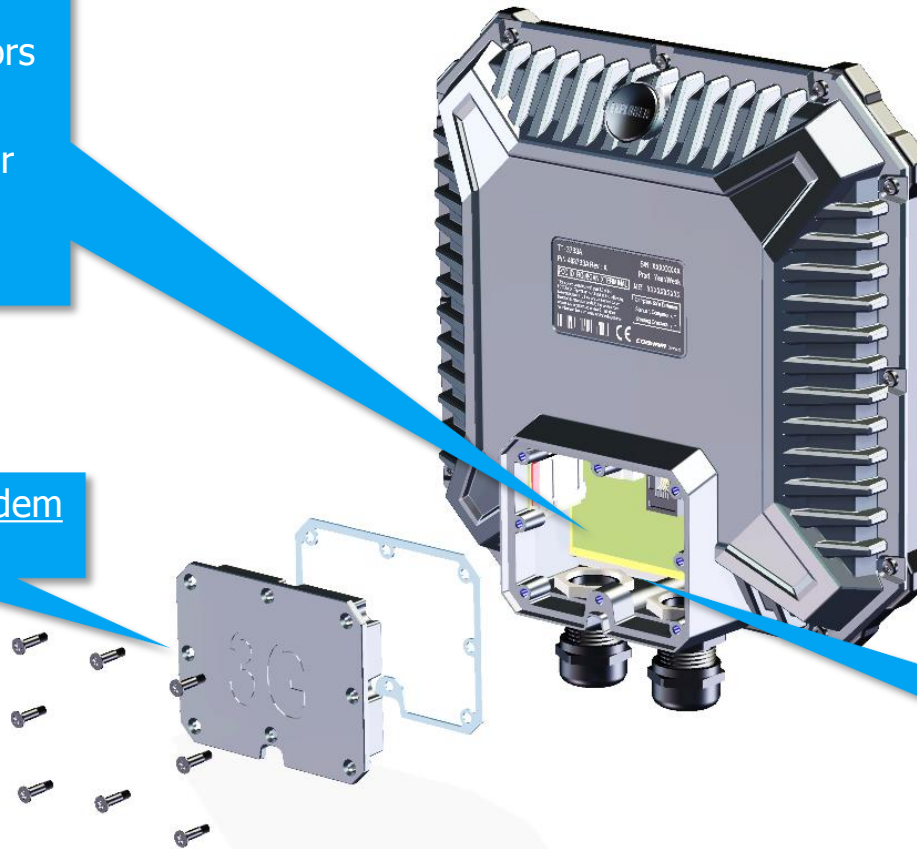
EXPLORER 540

Product description

Compartment for:

- BGAN SIM Card
- LAN/DC Connectors
- Reset Button
- USB Connector for 3G Modem
- IO ports

EXPLORER 3G Modem (Optional)



Back cover can be replaced with 3G Modem

EXPLORER 540 M2M Launch



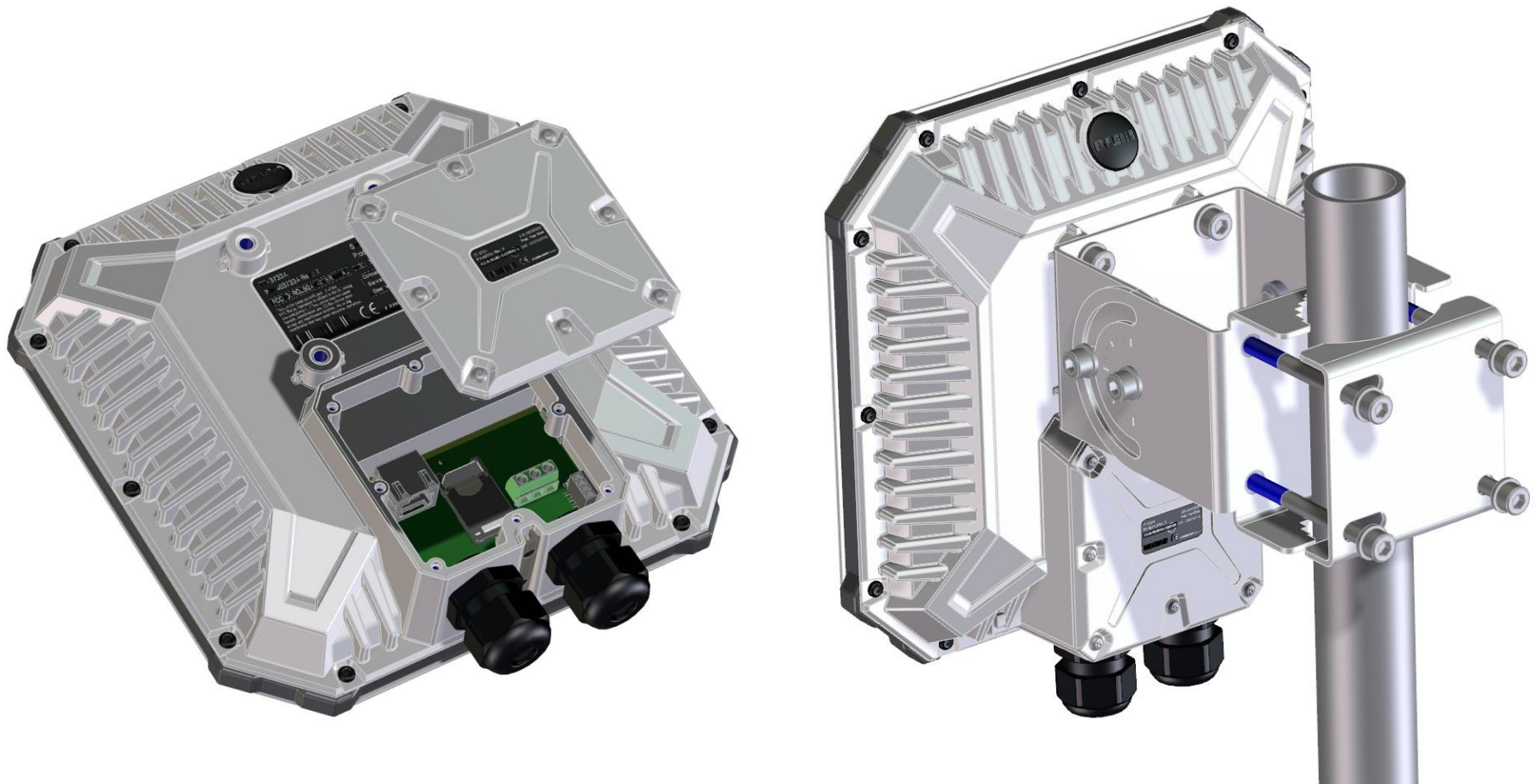
Important dates (preliminary)

1. Product Announcement: 9. October 2015
2. Product Intro: Late October 2015
 - Preliminary Product Sheet
 - Sales Presentation
3. Product Launch: November / December 2015
 - Press Release
 - Product Number / ordering
4. First Customer Shipment: February 2016

EXPLORER 540

Number 1 in ease of Installation

COBHAM



EXPLORER 540

Number 1 in ease of Installation

COBHAM



Backup Slides

Supported firewall features

- Port forwarding:
 - Enable/Disable, list of IP address, protocol, port range
- Port filtering:
 - Enable/Disable, list of port range, protocol
- IP filtering:
 - Enable/Disable, list of IP approved addresses, protocol
- MAC filtering:
 - Enable/Disable, list of approved MAC addresses

Remote Management

- PDP context activation:
 - Remote start via SMS
 - Always available, i.e. Automatic Context Activation (ACA), see sec. 6.8 Notice: This is new functionality compared to E510, E710 and legacy BDU.
 - AT-Cmd access to activate/deactivate PDP context (RTM)

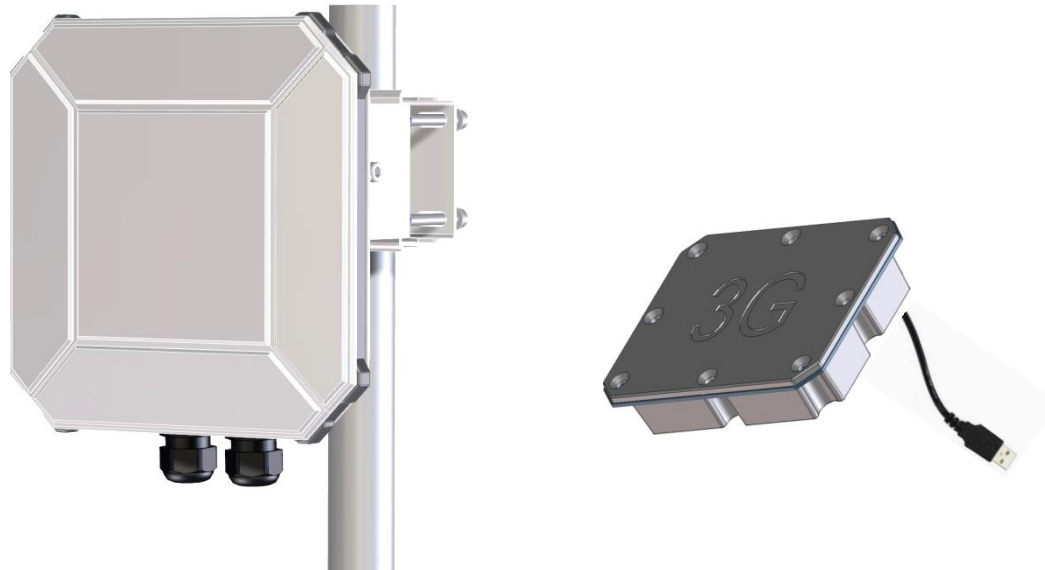
- Remote access with IP:
 - a) Enable/disable access to web server
 - b) Incoming port for web server
 - c) Enable/disable access to AT-commands
 - d) Incoming port for AT-commands
 - e) Trusted IP addresses

- Remote access with SMS:
 - a) Enable remote activation of data sessions
 - b) Send SMS confirmation
 - c) Enable access to AT commands
 - d) Password
 - e) Trusted whitelist of phone numbers (5 numbers)

- EXPLORER 540 interfaces:
 - Inmarsat IAI2
 - USIM card for BGAN
 - GNSS (GPS, Glonass, Beidou)
 - LAN with PoE (PoE+ IEEE 802.3at type 2 class 4 interface)
 - DC power (10.5 – 32V DC)
 - USB host (Micro-AB type connector) for optional 3G Modem
 - USIM card for 3G modem (optional)
 - 1 x input port for wake-on-input
 - 1 x output port for is-awake-output
 - 1 x GPIO port for remote control/status of a M2M device

Routing between BGAN M2M and 3G

- Configurable preferences of communication path selection will be:
 - a) BGAN only (Default)
 - b) Modem only
 - c) BGAN is preferred, otherwise use modem
 - d) Modem is preferred, otherwise BGAN





The most important thing we build is trust

For more information, please visit GroundControl.com or click on Explorer 510 BGAN M2M Information